

Features

- Flexible pressure ranges (0-30 Bar) and flow rates are available
- Compact design to for limited installing space
- High reliable, long life cycle
- Valve design in SUS304 or SUS316, excellent corrosion resistance.
- A variable seals can choose to fit acid,alkaline, high temperature environment.



Product Information

S22HD- _ _				
Body Material	SUS316 / SUS304			
Sealing Material	NBR	EPDM	VITON	PTFE
Working Temperature	75℃	140℃	150℃	260℃
Operating Pressure	0-30 Bar (maybe variable by models)			
Control Pressure	0.3 Mpa		0.8 Mpa	
Actuator Material	Standard type in SUS304, SUS316 type need customized			
Operating Speed	- 10 ~ 80 °C (if change seals to up grade)			
Installation	Install in the fluid direction. To improve life and reliability, the best installation direction is horizontal upwards			
Port Size	DN06-DN65			

Specifications

Port Size	Orifice Size mm	CV Value	Pressure Difference (bar)				SUS304 Part#	SUS316 Part#
			Water	Air	Gas	Oil		
1/8"	2.5	0.23	10	10	10	10	S22HD-06-S1	S22HD-06-S2
1/8"	2.5	0.23	30	30	30	30	S22HD-06-H2-S1	S22HD-06-H2-S2
1/4"	2.5	0.23	10	10	10	10	S22HD-08-S1	S22HD-08-S2
1/4"	2.5	0.23	30	30	30	30	S22HD-08-H2-S1	S22HD-08-H2-S2
3/8"	4.0	0.6	10	10	10	10	S22HD-10-S1	S22HD-10-S2
3/8"	4.0	0.6	30	30	30	30	S22HD-10-H2-S1	S22HD-10-H2-S2
1/2"	15	4.7	10	10	10	10	S22HD-15-S1	S22HD-15-S2
1/2"	15	4.7	30	30	30	30	S22HD-15-H2-S1	S22HD-15-H2-S2
3/4"	20	5.8	10	10	10	10	S22HD-20-S1	S22HD-20-S2
3/4"	20	5.8	30	30	30	30	S22HD-20-H2-S1	S22HD-20-H2-S2
1"	25	12	10	10	10	10	S22HD-25-S1	S22HD-25-S2
1"	25	12	30	30	30	30	S22HD-25-H2-S1	S22HD-25-H2-S2
1-1/4"	35	29	10	10	10	10	S22HD-35-S1	S22HD-35-S2
1-1/4"	35	29	30	30	30	30	S22HD-35-H2-S1	S22HD-35-H2-S2
1-1/2"	40	29	10	10	10	10	S22HD-40-S1	S22HD-40-S2
1-1/2"	40	29	30	30	30	30	S22HD-40-H2-S1	S22HD-40-H2-S2
2"	50	47	10	10	10	10	S22HD-50-S1	S22HD-50-S2
2"	50	47	30	30	30	30	S22HD-50-H2-S1	S22HD-50-H2-S2
2-1/2"	65	58	10	10	10	10	S22HD-65-S1	S22HD-65-S2
2-1/2"	65	58	30	30	30	30	S22HD-65-H2-S1	S22HD-65-H2-S2

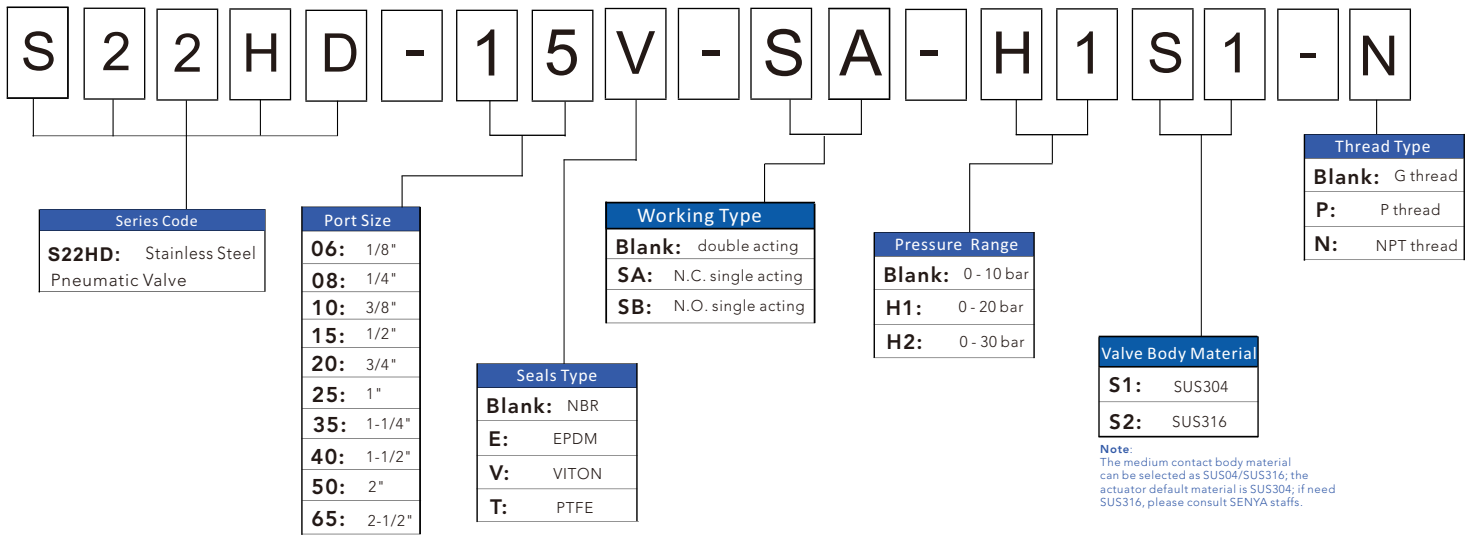


Pneumatic Valve
General Purpose Pneumatic Valve
 SUS304/316 Bodies
 1/8" to 2" BSPP

2/2
 SERIES
S22HD

YAW/S

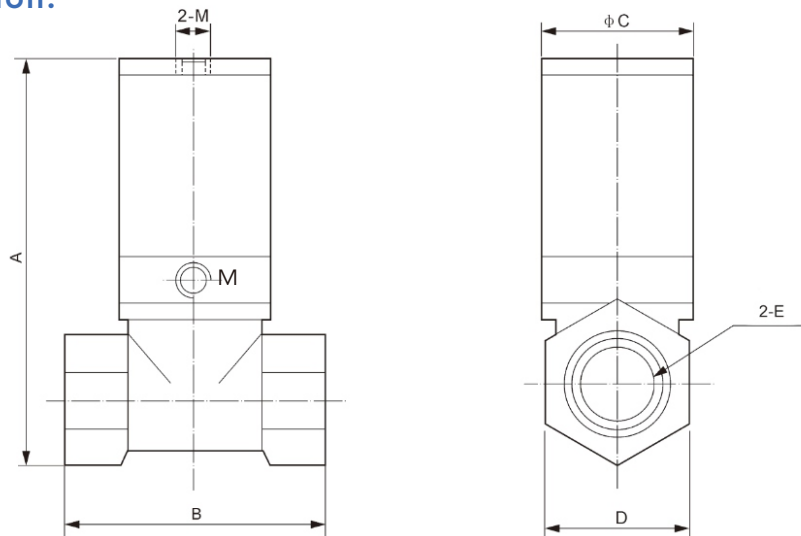
Ordering Code



Ordering Example:

S22HD series 2/2 ways stainless steel pneumatic valve , 1/2" Port Size, 0-30 bar range, SUS316 valve body , G thread, NBR seals, N.C. single acting.
 SENYA part# S22HD-15-SA-H2S2

Product Dimension:



Port Size	A	B	C	D	E	M
1/4" (1/8")	98	45	28	24	1/4" (1/8")	1/8"
3/8"	98	45	28	24	3/8"	1/8"
1/2"	108	55	32	27	1/2"	1/8"
3/4"	112	65	32	33	3/4"	1/8"
1"	136	75	38	42	1"	1/8"
1-1/4"	156	85	55	49	1-1/4"	1/8"
1-1/2"	167	99	55	57	1-1/2"	1/8"
2"	192	115	68	68	2"	1/8"